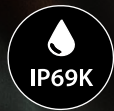




# EA-193-80

## LOW VOLTAGE IPM MOTOR



IP69K

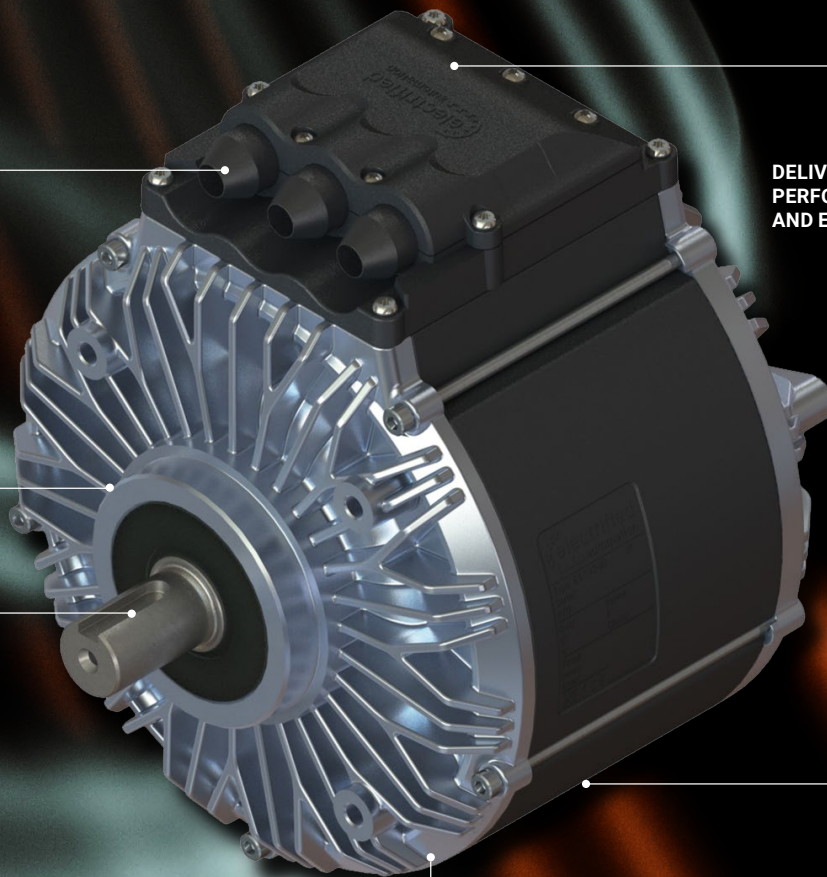
LIGHT AND COMPACT

THROUGH SHAFT  
CAPABILITY

OPTIMISED FOR REPEATABLE,  
SCALEABLE AUTOMATED  
MANUFACTURING

DELIVERS MAXIMUM  
PERFORMANCE, POWER  
AND EFFICIENCY

HIGH POWER  
DENSITY



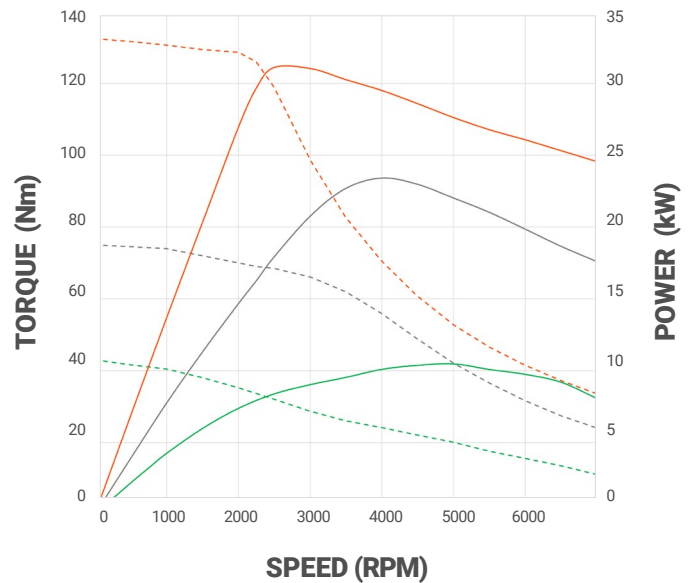
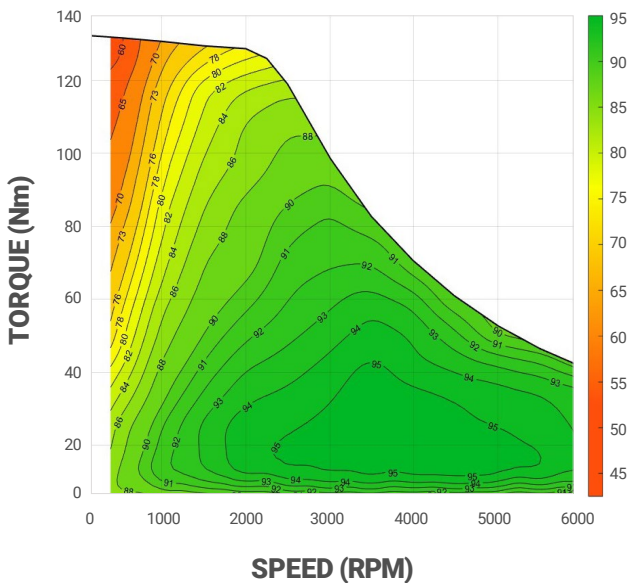
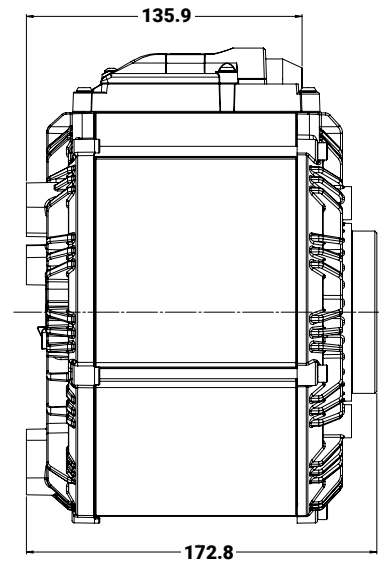
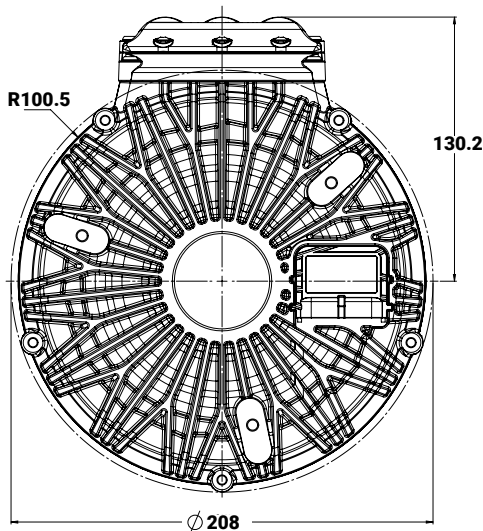
| 193-80-13A+ (80V) |

# 193-80-13A+ (80V)

## PRODUCT SPECIFICATION



NOMINAL VOLTAGE	PEAK TORQUE @700ARMS	PEAK POWER [S2-5]	RATED POWER [S2-60]	MAXIMUM SPEED	MOTOR WEIGHT
80V	140Nm	32kW	10kW	7000RPM	18kg



\*DATA RECORDED AT 25°C AMBIENT

--- TORQUE[S2-1]    --- TORQUE[S2-10]    --- TORQUE[S2-60]  
--- POWER[S2-1]    --- POWER[S2-10]    --- POWER[S2-60]